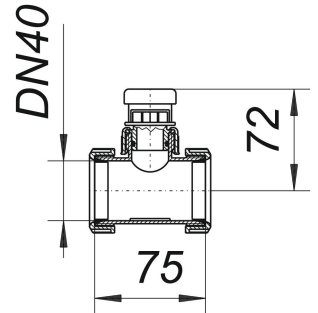


air-admittance valves type 902 T, DN 40

Part number: 850119
GTIN: 4001636850119
Rebate group: 4



Description:

air-admittance valves type 902 T, DN 40
for internal venting of waste systems

specification:
- T-connector DN 40 with compression joint to DN 40 vent pipe

material:
polypropylene