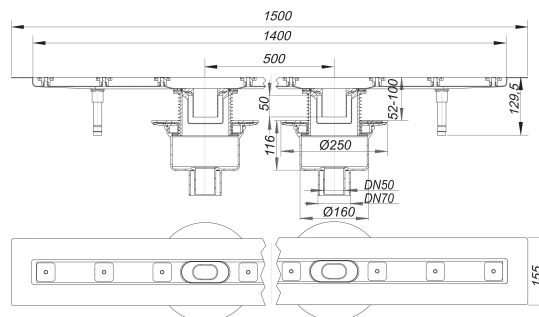


shower channel CeraLine vertical F Duo 1400 mm, DN 50/DN 70

Part number: 521699

GTIN: 4001636521699

Rebate group: 8



Description:

shower channel CeraLine vertical F Duo 1400 mm, DN 50/DN 70

conforming to DIN EN 1253

Linear drainage, with two floor drain bodies CIRCO V with +/- 15 mm lateral adjustment, outlet DN 50/DN 70 vertical

specification

- sound-insulated height adjustable levelling legs
- integral sand coated flange for secure bonding of under-tile waterproofing
- removeable trap insert, 50 mm water seal (conforming to DIN EN 1253)
- height adjustable screws for levelling the cover-plate
- temporary blanking plate
- tiling gauges
- edge trim jig

material

channel 304 stainless steel, drain body polypropylene;

Options for CeraLine vertical F Duo:

Any made-to-measure length up to 2000 mm can be supplied. Please enquire!

The outlet connector can be supplied in ABS to suit British Standard sizes and PE-HD conforming to DIN EN 1519. Please enquire.

Fire protection system 1 (Part No. 515018) applicable.

Flow rates tested to DIN EN 1253:

Nominal diameter	Product standard	Min. flow rate according to norm	Water level according to norm
DN 50	DIN EN 1253	0.80 l/s	20.00 mm
DN 70	DIN EN 1253	0.80 l/s	20.00 mm

Spare parts:

523983 adjustable pedestals

Dallmer GmbH + Co KG · Wiebelsheidestraße 25 · 59757 Arnsberg · Tel.: +49 2932 9616-0 · Fax: +49 2932 9616-222

www.dallmer.com · info@dallmer.de

Subject to modifications due to technical development, errors and misprints