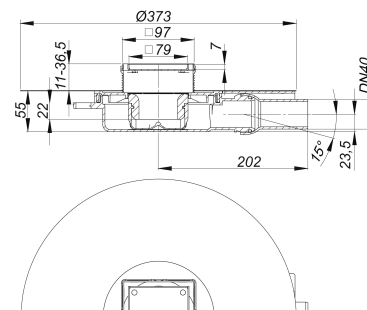
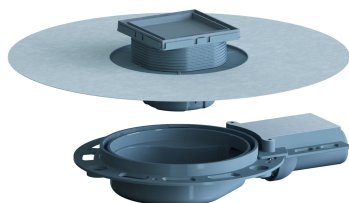


floor drain DallDrain Individual Plan OM, DN 40, 100 x 100 mm

Part number: 517760

GTIN: 4001636517760

Rebate group: 6



Description:

floor drain DallDrain Individual Plan OM, DN 40, 100 x 100 mm

Floor drain including grating DallDrain Individual with stainless steel grating frame for tiling with customers floor finish. Side outlet DN 40, with ball joint, adjustable from 0 – 15 degrees.

Specification

- Stainless steel tile holder and frame
- Integrated screed anchoring
- Flexible, click-in sealing sleeve for secure connection to bonded and sheet waterproofing conforming to DIN 18534
- Fully removable, two-piece trap insert and rodding eye, 22 mm water seal (deviating to DIN EN 1253)
- Temporary blanking plate
- Spigot can be shortened for floorings 10 – 36 mm (including adhesive)
- Screed reinforcement element for protection of the outlet

Material

Drain body and outlet polypropylene, highly impact-resistant; 1.4301 stainless steel tile holder; spigot in ABS, frame in 1.4301 stainless steel
Pre-assembled set consisting of parts no. 517272 + 517227 + 517340.

Grating with positioning aid laterally adjustable +/- 3.5 mm.

Spare parts:

517272 grating DallDrain Individual, 100 x 100

517364 trap insert DallDrain Plan