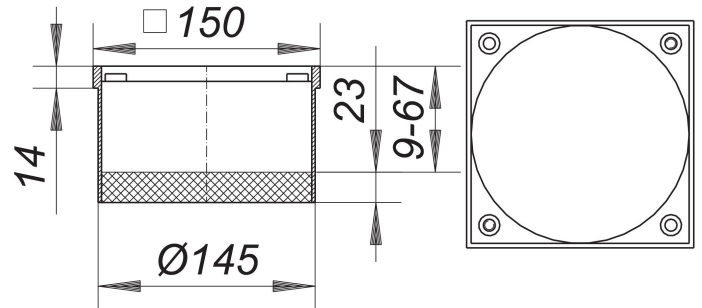

frame K 15, 150 x 150 mm

Part number: 500670
GTIN: 4001636500670
Rebate group: 3



Description:

frame K 15, 150 x 150 mm
used with floor drains type 54, 55, 57, 58, 61 and 61/1
frame polypropylene, 150 x 150 mm, with threaded inserts,
spigot polypropylene