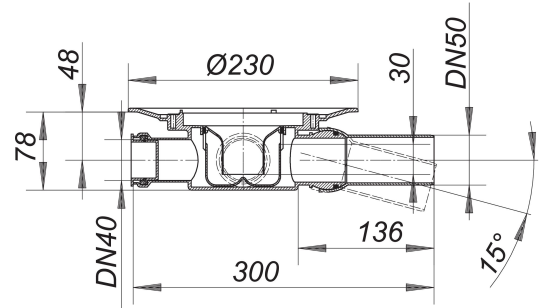


## Floor drain body type 42/3, 3 inlets DN 40, DN 50

Part number: 421722  
 GTIN: 4001636421722  
 Rebate group: 3



### Description:

Floor drain body type 42/3, 3 inlets DN 40, DN 50  
 outlet horizontal, ball-joint adjustable 0 – 15 degrees, DN 50, BS 2" sw socket or HDPE 56 mm

#### specification

- removable trap insert, 30 mm water seal (deviating to DIN EN 1253)
- temporary blanking plate

#### material

polypropylene  
 with three DN 40 side inlets

The outlet connector can be supplied in ABS to suit British Standard sizes and PE-HD conforming to DIN EN 1519. Please enquire.

### Flow rates tested to DIN EN 1253:

Nominal diameter	Product standard	Min. flow rate according to norm	Water level according to norm
DN 50	DIN EN 1253	0.80 l/s	20.00 mm