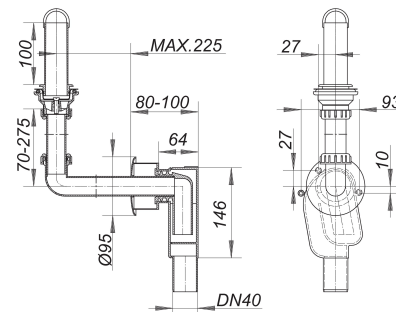


concealed trap type 300 PC KS, DN 40

Part number: 130273

GTIN: 4001636130273

Rebate group: 1



Description:

concealed trap type 300 PC KS, DN 40
conforming to DIN 19541
for hospital wash basins (e.g. "Paracelus")

specification:

- space saving built-in trap body
- height adjustable inlet
- escutcheon
- waste
- c.p. standpipe
- removable trap insert

material:

trap in polypropylene

inlet white polypropylene, escutcheon white ABS

Spare parts:

143020 trap insert for 300, 310

170156 stand pipe, ABS chromed, 100 mm