

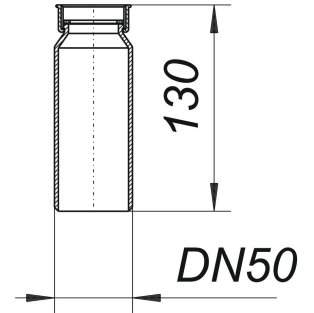
---

## inlet tube type 010/0 130 mm, 1 1/4" x DN 50

---

Part number: 060129  
GTIN: 4001636060129  
Rebate group: 1

---



---

### Description:

inlet tube type 010/0 130 mm, 1 1/4" x DN 50

specification:

- back nut and flat seal (non-asbestos)

material:

polypropylene