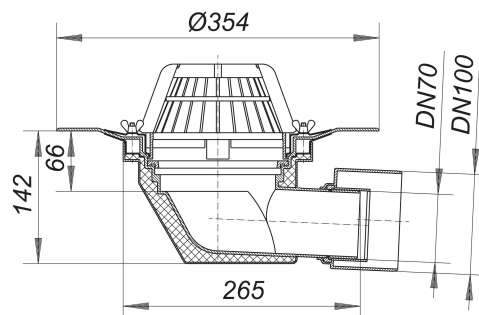


roof drain type 64 clamp ring, DN 70/DN 100

Part number: 641076
GTIN: 4001636641076
Rebate group: 10



Description:

roof drain type 64 clamp ring, DN 70/DN 100
conforming to DIN EN 1253
with stainless steel clamp ring to secure all single-ply membranes

specification:

- insulated drain body
- side outlet DN 70/DN 100, 3 degrees fall
- domed grate

material:

polypropylene, UV-stabilized

DN 70 connects to BS4514 75 mm pipework with 880345 adaptor