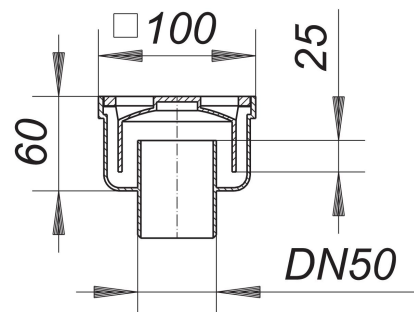


floor drain type 60, DN 50, 100 x 100 mm

Part number: 600509
 GTIN: 4001636600509
 Rebate group: 3



Description:

floor drain type 60, DN 50, 100 x 100 mm
 outlet DN 50 vertical
 with bell trap, 25 mm water seal

material:
 polypropylene
 frame polypropylene, 100 x 100 mm, grate polyamide, incorporating bell trap

No flange for water-proofing membranes.

Flow rates tested to DIN EN 1253:

Nominal diameter	Product standard	Min. flow rate according to norm	Water level according to norm
DN 50	DIN EN 1253	0.80 l/s	20.00 mm