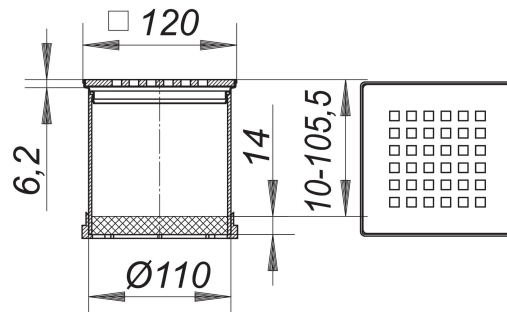


grating Quadra S 10/120, 120 x 120 mm

Part number: 510365
 GTIN: 4001636510365
 Rebate group: 3



Description:

grating Quadra S 10/120, 120 x 120 mm
 used with floor drain types 40, 42 and 46
 spigot ABS, extendable with DN 100 plastic pipe
 frame 304 stainless steel, 120 x 120 mm
 design grate 5 mm 316L stainless steel, 115 x 115 mm, load class L 15 (1.5 t)

Some of these gratings can be supplied with d: 103 mm spigot where its use is allowed. Please enquire.

Spare parts:

495013 drainage ring S 10