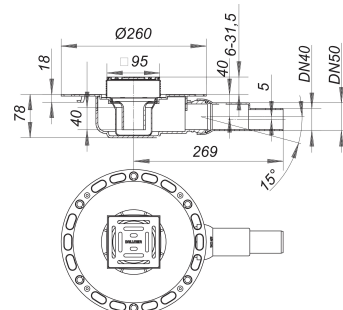


**sound-insul. fl. dr. TistoPlan K 10, DN 40/DN 50, 100 x 100 mm**

Part number: 513922

GTIN: 4001636513922

Rebate group: 5

**Description:**

sound-insul. fl. dr. TistoPlan K 10, DN 40/DN 50, 100 x 100 mm  
 conforming to DIN EN 1253 (approval)  
 tested to conform to DIN 4109/VDI4100, certificate P-BA 226/2008  
 outlet DN 40/DN 50 horizontal, with ball-joint, adjustable 0 – 15 degrees

## specification

- flange with fleece surface
- Tisto-membrane
- removable trap insert, 40 mm water seal (deviating to DIN EN 1253)
- temporary blanking plate
- height adjustable grating
- sound-proofing pad 500 x 500 mm

## material

polypropylene

grate 304 stainless steel, load class K 3 (300 kg)

frame ABS, 100 x 100 mm

Applicable if increased sound proofing requirements must be complied with and where a lower, second tanking system is not being used.

**Flow rates tested to DIN EN 1253:**

Nominal diameter	Product standard	Min. flow rate according to norm	Water level according to norm
DN 50	DIN EN 1253	0.80 l/s	20.00 mm

**Spare parts:**

501011 grate E 90, 90 x 90 mm

513304 Membrane Tisto S 10

482013 trap insert for TistoPlan

495587 frame TS 10, 100 x 100 mm

590282