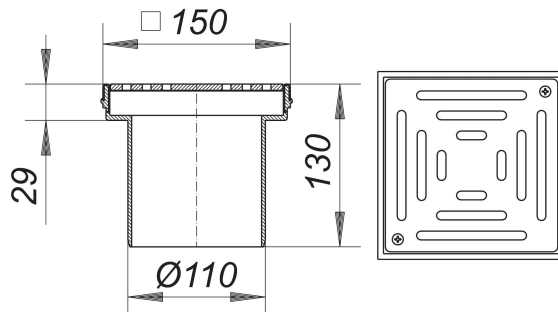


## grating KES 11, 150 x 150 mm

Part number: 510129  
GTIN: 4001636510129  
Rebate group: 3



### Description:

grating KES 11, 150 x 150 mm  
without trap  
spigot ABS, extendable with DN 100 plastic pipe  
frame 304 stainless steel, 150 x 150 mm  
grate 5 mm 316L stainless steel, secured, load class L 15 (1.5 t)

These gratings have a connector diameter of 110 mm and can be installed as a grating for an untrapped drain.

Some of these gratings can be supplied with d: 103 mm spigot where its use is allowed. Please enquire.